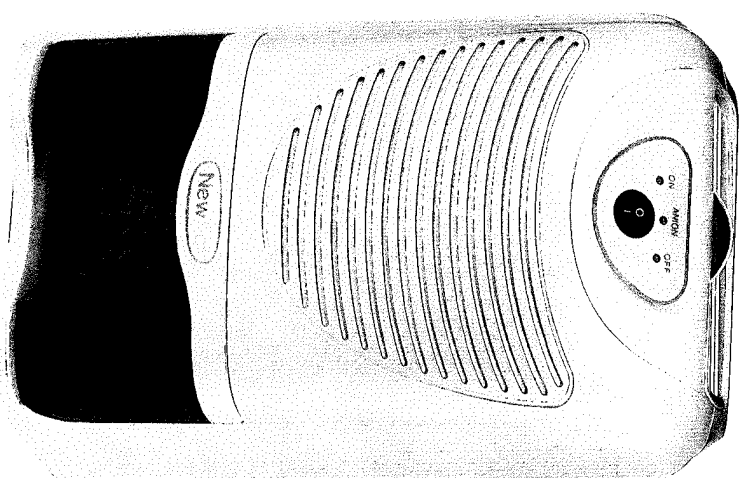




Mini Dehumidifier

Model No.: ADS-500
Instruction Manual



Thank You For Purchasing Our Series of Products,
Before Operating The Unit, Please Read This Manual
Completely & Retain It For Future Reference.

CAUTIONS:

- Before installation, use, or maintenance, read the safety instructions in this manual carefully.
- Remove all packaging materials from the unit and keep away from infants and small children to avoid danger and suffocation.
- Before plugging in, make sure that the voltage is within the range indicated on the rating label of the adapter.
- The dehumidifier is intended exclusively for the use it was created, and we are not responsible for any damage caused by improper use.
- Do not use with other electrical appliances, use with care.
- Do not clean the dehumidifier by spraying it or immersing it in water.
- Do not connect the product from the electrical outlet before cleaning the unit or its components.
- Do not connect the dehumidifier to an electrical outlet using an extension cord. If there is no accessible outlet, a licensed electrician needs to install one.
- Do not use when not in use, store out of reach of children.

POSITIONING:

Use the unit for bedrooms, stockrooms, labs, closets, or any other area you would like to keep dry or remove dampness.

INSTALLATION:

Do not use this unit in a bathroom or shower. Do not allow water to drip onto the adapter or dehumidifier. Make sure that the filter and front vents are free of any obstructions, so that air can circulate freely through the unit.

**WARNING:**

Regular cleaning should be performed by an authorized service representative. Failure to do so could result in loss of warranty. The power supply cord becomes damaged, it must be replaced by the manufacturer or its service agent or similarly qualified person in order to avoid a hazard. Do not use the supplied adapter.

INTRODUCTIONS:

The Mini Anionic Electric Dehumidifier is incredibly energy-efficient and removes excess atmospheric moisture from any room, creating a comfortable environment and protecting your furniture and electronic devices from water damage. It uses cutting edge technology through its thermo-electric pellets and anion generator. It can also hold a great deal of water, up to 390cc., which saves you the time and the labor of constant drainage, while it is big enough for a small to mid-sized bedroom but small enough for a closet or on a table.

FEATURES:

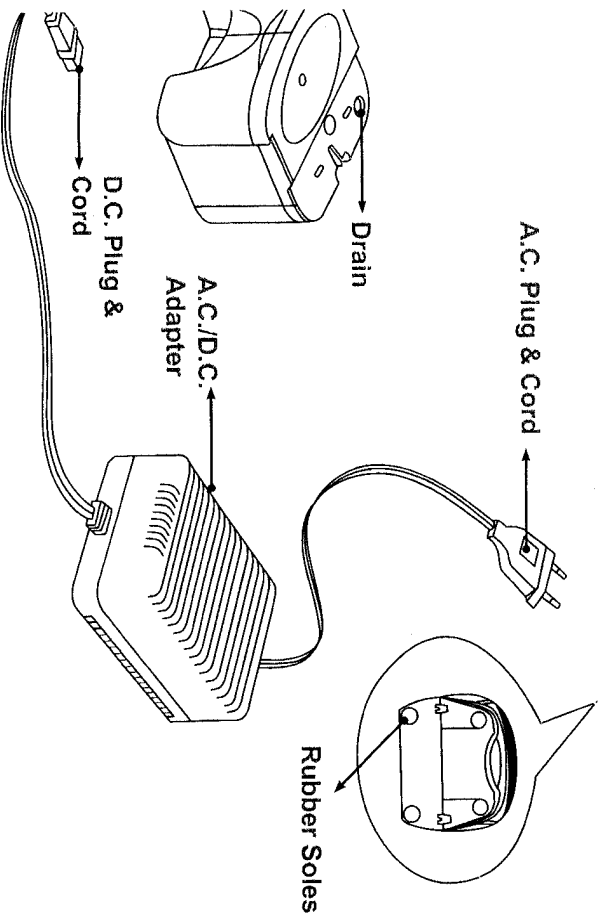
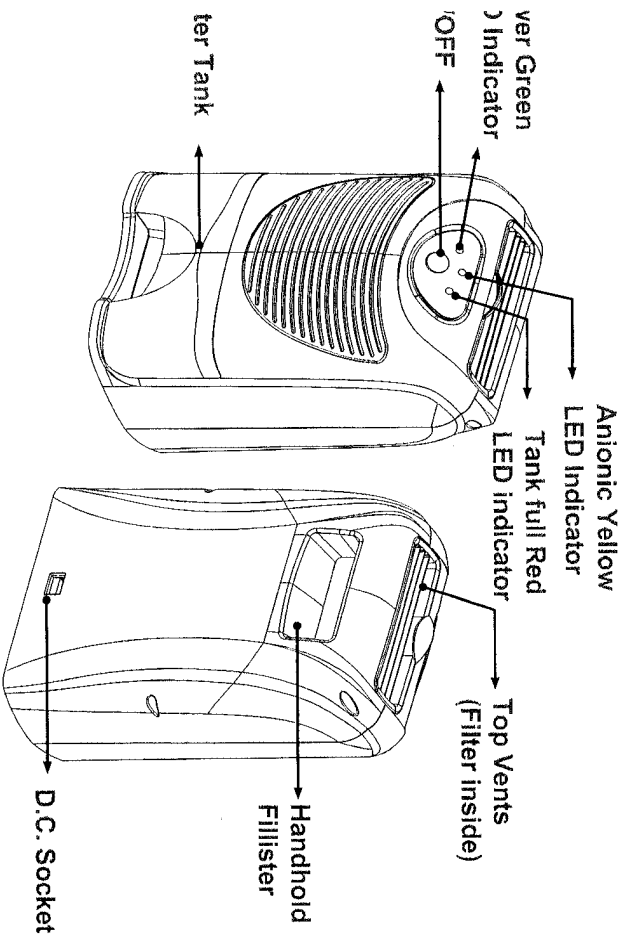
- **Powerful Dehumidifying Capability** : Taking advantage of Thermo-electric pellets technology, the dehumidifier powerfully removes partial moisture from the air to decrease the humidity level of the room and keep indoor air dry and comfortable.
- **Lightweight Portable Design**: A portable and lightweight unit is easy to move from room to room, and easy to operate in a small space such as a closet, corner or on a table.
- **Anionic Functions**: Adopts Ionizer to discharge Negative Ion (Anion) to freshen, while eliminating mildews and odors. At the same time, it provides you with fresh air through the Ionizer and Deodorizing Filter.
- **Automatic Safety Switch-Off**: When the water tank is full, the automatic switch-off (Red LED indicator) prevents overflowing and spills.
- **Sensor**: Provides a more accurate water level reading and prevents overflow.
- **Quiet Operation**: When the dehumidifier operates at its lowest setting, the noise level is only 41 decibels.
- **Environmentally Friendly** : The dehumidifier uses the no CFC refrigerant to protect the environment and reduce pollution.
- **Energy Efficient** : The unit features low power consumption.

USEFUL IN THE FOLLOWING CASES:

The dehumidifier is most effective and used best in these instances:

When carpet is damp and moisture adheres to ceilings or walls, that may be moldy, faster drying of clothes in a room, clothes and leather goods are moldy or stained, drawers of wardrobe are difficult to pull out because contents are damp, sound from piano is distorted or its keys are heavy, closet and its contents are damp, to keep CDs, books, cameras, etc. dry.

scription :



OPERATIONS:

Please set the appliance on a flat and well-ventilated place.

•Before plugging in, please switch off the appliance by pressing the power button on the AC/DC Adapter.

•Connect the adapter to the main body of the dehumidifier.

Note: The D.C. plug is unable to be inserted into the D.C. socket in the wrong direction.

•Press the dehumidified button to the on position. The power LED (red) will be off and the dehumidified LED (green) will be on when beginning operation.

•When the water tank is full, the water full LED (red) will turn on and operation will stop automatically.

•The unit will switch off automatically and the red LED indicator will illuminate when the water tank is full.

•Before emptying the water tank, turn off the dehumidifier by pressing the power button from 1 to 0.

•Hold the top of the unit and grasp the handle of the water tank to pull out the tank completely and remove it.

•Discard the water and empty the water tank.

Carefully insert the tank to its original position and fix the plug.

•When the power is on, press the Anionic Button On (1) and the corresponding Anionic LED (yellow) will be lighted.

Notice: Please turn on the power before using the negative ion function.



SAFETY AND MAINTENANCE:

When using the unit, please observe the following safety precautions:

- Unplug the power supply cord before cleaning or storage.
- Do not submerge the unit in water or place the unit close to water.
- Do not set the unit close to heat-generating devices or near flammable and dangerous materials.
- Never put your fingers or objects inside the intake.
- Do not sit or stand on the unit.
- Discard water that has collected in the tank as necessary.
- If the power supply cord is damaged, it must be replaced by the manufacturer or a qualified service agent.

CLEANING:

- Before cleaning, first turn off and unplug from the mains socket.
- Use a damp, soft cloth to clean off any dust or stains on the unit. Do not use alcohol, benzene, or other chemicals to clean the unit as this will result in damaging the surface.
- Warning: do not allow any water to drip onto internal parts.
- Filter
 - Remove the filter from the unit, clean in lukewarm water, and dry thoroughly.
 - Never operate the dehumidifier without filter.

STORING THE DEHUMIDIFIER

- Properly store the unit when it is not being used for an extended period of time.
- Wipe up the power supply cord and secure it to the holder.
- Discard any water left in the drainage tank and wipe away any remaining moisture with a cloth. Then, clean the air filter.
- Store the unit upright in its original packaging to keep free of dust.
- Store in a cool, dry place.

TROUBLESHOOTING:

If a condition listed below occurs, please check the following items before calling customer service.

Problem	Possible Cause	Solution
The unit does not operate	Has the power cord been disconnected?	Plug the power cord into the outlet. Pull out the tank and reinsert again.
	Is the tank full indicator lighted? (The tank is full or in a wrong position.)	Discard the water in the drainage tank and then reposition the tank.
	Is the temperature of the room above 95°F or below 36°F?	The protection device is activated and the unit cannot be started.
The dehumidifying function does not work.	Is the air filter clogged?	Change the air filter
	Is the intake duct or discharge duct obstructed?	Remove the obstruction from the discharge or intake duct.
No air is discharged.	Is the air filter clogged?	Change the air filter
Operation is noisy.	Is the unit tilted or unsteady?	Move the unit to a stable, sturdy location.
	Is the air filter clogged?	Change the air filter

SPECIFICATIONS

Input Voltage: 100V ~ 240V AC	Air Filter: Activated Carbon Filter
Output Voltage: 12V DC 6A	Ionizer: 3x10 ⁶ pcs / cm ³ ± 10%
Power Consumption: 72W	Safety Power Off: Yes
Dehumidifying Capacity: Max 20 oz (86°F, 80%RH)	Dimensions: 8.9 x 13.4 x 6.5 ins.
Water Tank Capacity: 3.5pints	N.W.: 5.5 lbs